

www.edaechang.co.kr

Innovation of ice maker

DAE CHANG




DAE CHANG CO., LTD.

SUMMARY

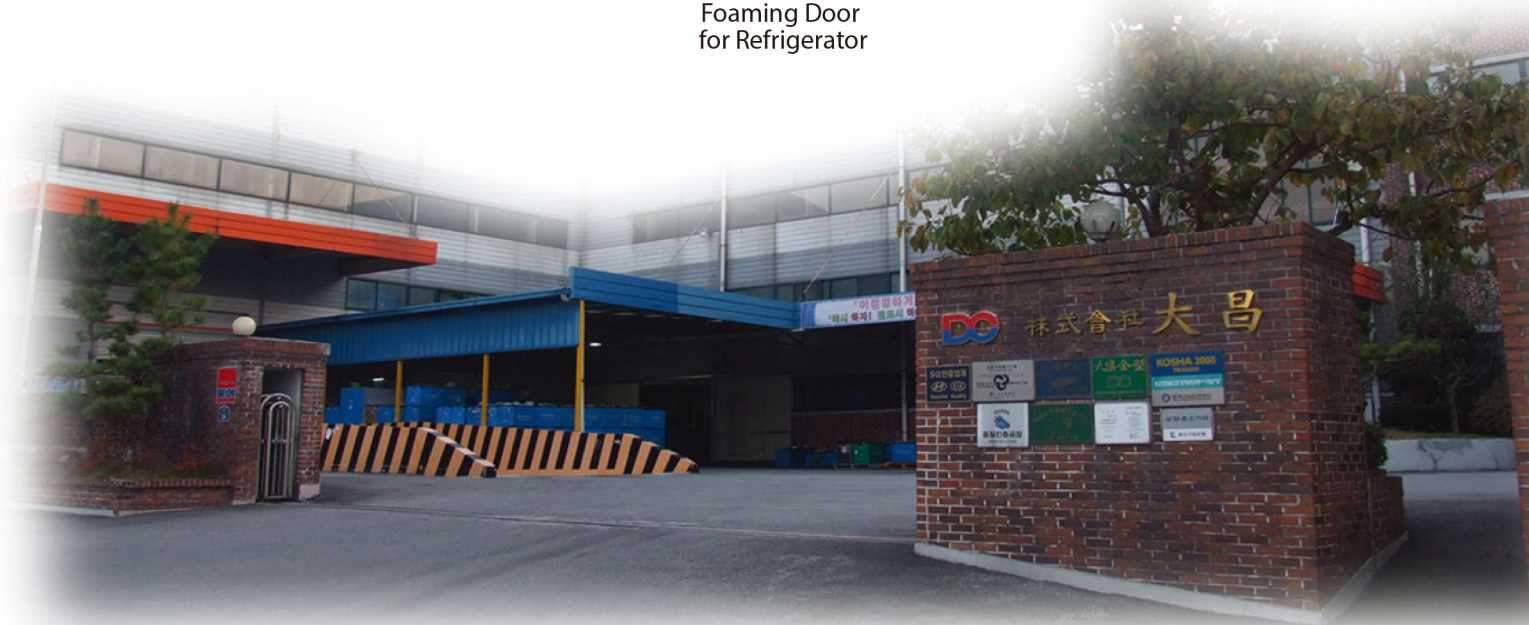


■ President	MR. GIL-SANG, LEE
■ Establishment	1989.09.01
■ Business type	Injection, Mold, Diecasting, Foaming, Blowing Electric Module – Ice Maker, Glass Shelf, ... – Detergent Auto Dispenser, ...
■ H/Q Address	24, 2sandan 2-gil, Jeongeup-si, Jeollabuk-do, Korea
■ Factory	H/Q (Jeongeup), Branch company(Gwangju) Related : Daechang Mold (Gunpo), Daechang Hitech(Thailand)
■ Main Customer	Home Appliances fields : SAMSUNG, DAYOU, GE Appliances (USA), LIEBHERR ... Auto Mobiles fields : PYUNGHWA, DAEWOO, HANON, SSANGYONG ...
■ Sales Volume	US\$ 85M (Year of 2018)



HISTORY



DAE CHANG - BUSINESS

Ice-maker Kit
for Refrigerator



Moving shelf
(Up & Down)



Plastic Cabi bott
for Refrigerator



Functional Parts
for Automobile



Auto Dispenser for
Washing Machine



Foaming Door
for Refrigerator



DAE CHANG – ICE MAKER ISSUE

ENERGY-SAVING AC 145W ? → DC 30W

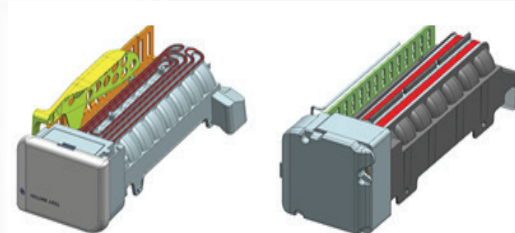


▪ Keynote

- Full(Semi) Auto Ice-maker applying AL-TRAY
- Auto-control (Water supply, manufacture of ice, sensing of full-ice, stop, restart for manufacture)
- Electric power reduction skills for Energy Savings
- The biggest company of Ice maker in Domestic market

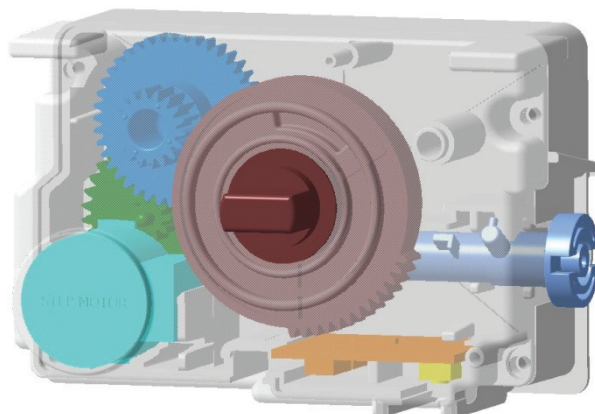
▪ Related Intellectual Property Right

- US15/112,185 etc. more than 30 cases (DOM & OVERSEAS)



< Energy Saving Ice-maker >


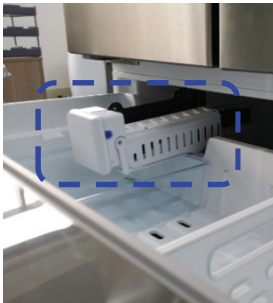




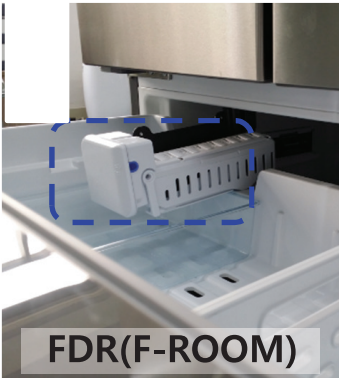

R134a → R600a BRUSH MOTOR ? → STEP MOTOR !



DAE CHANG – ICE MAKER A

Mounted	MOTOR type	
	DC	AC
FDR (CABI ICE-ROOM) 	 DIRECT 6Cube  DIRECT 10Cube	 INDIRECT 7Cube  INDIRECT 9Cube
SBS (DOOR) 	 INDIRECT 8Cube	 INDIRECT 7Cube
SBS (CABI) 	 INDIRECT 4Cube  INDIRECT 8Cube	 INDIRECT 7Cube

DAE CHANG – ICE MAKER B

Mounted	Model	DC MOTOR type
 <p>SBS(F-DOOR)</p>  <p>FDR(F-ROOM)</p>	<p>DI1</p>	 <p>INDIRECT 8Cube</p>
 <p>FDR(ICE-ROOM)</p> 	<p>DI2</p>	 <p>INDIRECT 10Cube</p>
 <p>FDR(F-ROOM)</p>	<p>DI3</p>	 <p>INDIRECT 8Cube</p>

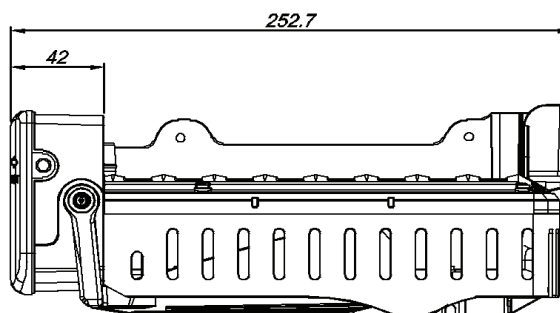
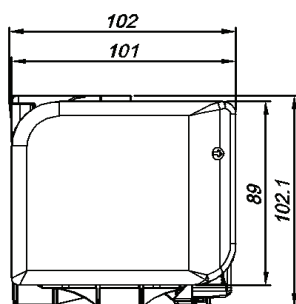
DAE CHANG – ICE MAKER C

CONTROL & MOTOR	Model	DC MOTOR type
SELF AUTO CONTROL	DI4	 <p>INDIRECT 8Cube</p>
BRUSH MOTOR	DI-PA	
STEP MOTOR	DI-PS	

DI1 ICE MAKER



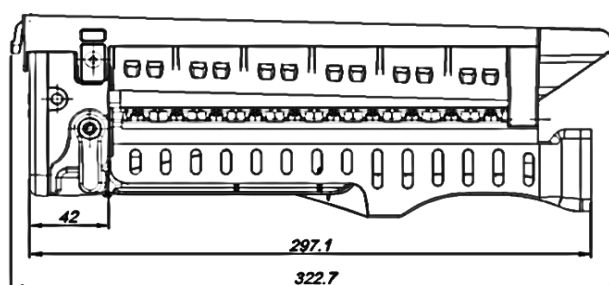
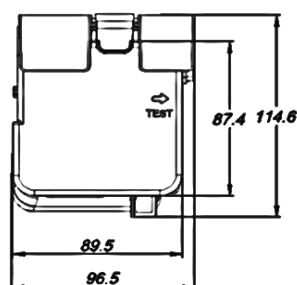
ASS'Y	Controller	REFRIGERATOR or SELF AUTO CONTROL
	Size	102mm x 102mm x 252.7mm
	Ice Tray Size	8 Cube (1 Cube = 12g)
	1cycle time	184sec
	Torque	12Kgf-cm ↑
	Ice Full Lever	UpDown Type Lever / Mold
Ice Tray Type		Heating Type / AL Diecasting
Motor		DC 12V, Step Motor
Temp Sensor		10.0KΩ (at 25°C)
Heater		AC 230V/120V, 145W / AL- Sheath Heater
Thermal Protector		AC 250 7A/ 125 10A, 98°C or 60°C BIMETAL
Patent		10-2003-0079575, 10-2011-0104973, 10-2015-0114370, 10-2017-0089889, etc.



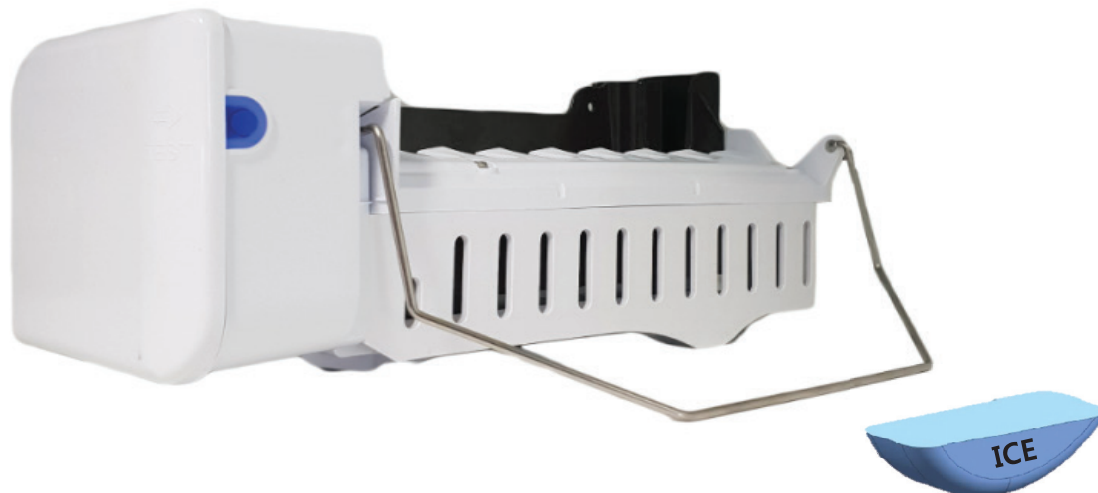
DI2 ICE MAKER



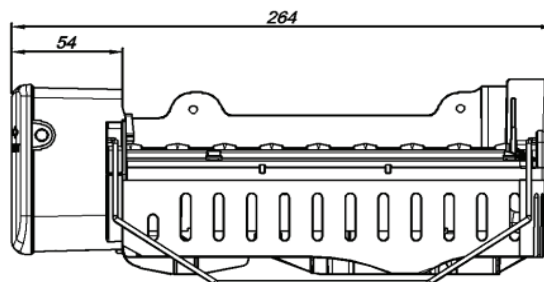
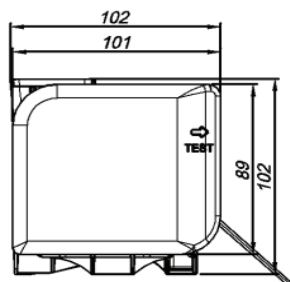
ASS'Y	Controller	REFRIGERATOR
	Size	96.5mm x 114.6mm x 322.7mm
	Ice Tray Size	10 Cube (1 Cube = 10g)
	1cycle time	184sec
	Torque	12Kgf-cm ↑
	Ice Full Lever	UpDown Type Lever / Mold
Ice Tray Type	Heating Type / AL Diecasting	
Motor	DC 12V, Step Motor	
Temp Sensor	10.0KΩ (at 25°C)	
Heater	AC 230V/120V, 145W, AL- Sheath Heater	
Thermal Protector	AC 250 7A/ 125 10A, 60°C	
Thermal Fuse	AC 250 3A/ 125 5.5A, 102°C, Cut off :98±3°C	
Patent	10-2003-0079575, 10-2011-0104973, 10-2015-0114370, 10-2017-0089889, etc.	



DI3 ICE MAKER



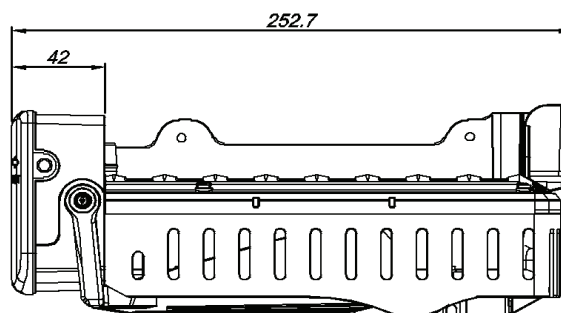
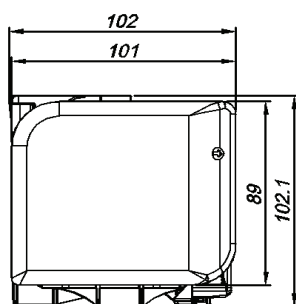
ASS'Y	Controller	REFRIGERATOR or SELF AUTO CONTROL
	Size	102mm x 102mm x 264mm
	Ice Tray Size	8 Cube (1 Cube = 12g)
	1cycle time	184sec
	Torque	12Kgf-cm ↑
	Ice Full Lever	Wire Type
Ice Tray Type		Heating Type / AL Diecasting
Motor		DC 12V, Step Motor
Temp Sensor		10.0KΩ (at 25°C)
Heater		AC 230V/120V, 145W / AL- Sheath Heater
Thermal Protector		AC 250 7A/ 125 10A, 60°C
Thermal Fuse		AC 250 3A/ 125 5.5A, 102°C, Cut off :98±3°C
Patent		10-2003-0079575, 10-2011-0104973,



DI4 ICE MAKER



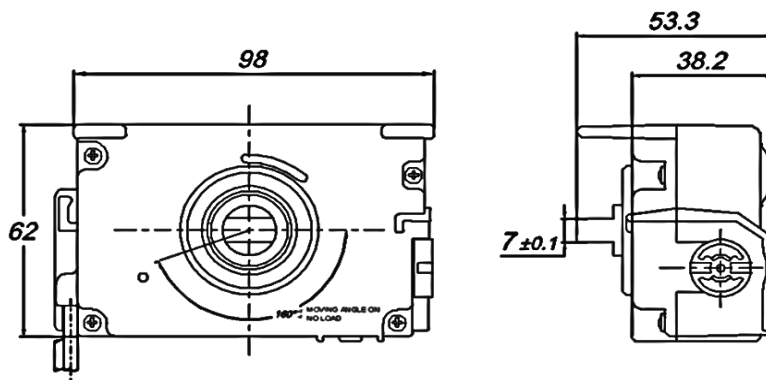
ASS'Y	Controller	REFRIGERATOR or SELF AUTO CONTROL
	Size	102mm x 102mm x 252.7mm
	Ice Tray Size	8 Cube (1 Cube = 12g)
	1cycle time	184sec ± 10sec
	Torque	12Kgf-cm ↑
	Ice Full Lever	UpDown Type Lever / Mold
Ice Tray Type	Heating Type / AL Diecasting	
Motor	DC 12V, Step Motor	
Temp Sensor	10.0KΩ (at 25°C)	
Heater	AC 230V/120V, 145W / AL- Sheath Heater	
Thermal Protector	AC 250 7A/ 125 10A, 60°C	
Patent	10-2003-0079575, 10-2011-0104973, 10-2015-0114370, 10-2017-0089889, etc.	



DI-PA ICE MAKER

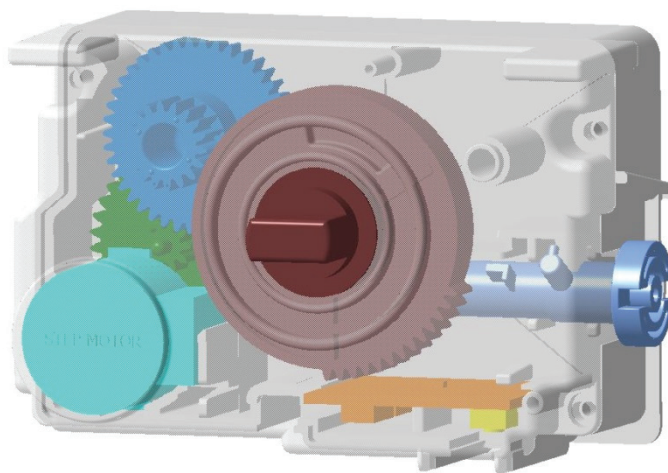


ASS'Y	Controller	REFRIGERATOR CONTROL
	Size	62mm x 98mm x 53. mm
	Cycle Time (Home→Max)	9 sec
	Cycle Time (Max→Home)	7 sec
	Torque	30Kgf-cm ↑
	Ice Full Lever	UpDown Type Lever / Mold
Motor	DC 12V BRUSH MOTOR	
Test S/W	5V or 12V DC	
Temp Sensor	5.0KΩ (at 25°C) 8.0KΩ (at 0°C)	
Patent	10-2017-0148996 ...	
REMARK	Module For Twisting Ice Maker	

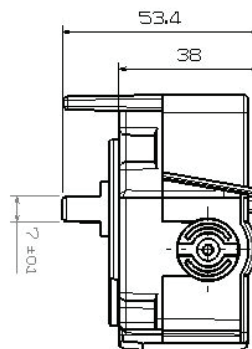
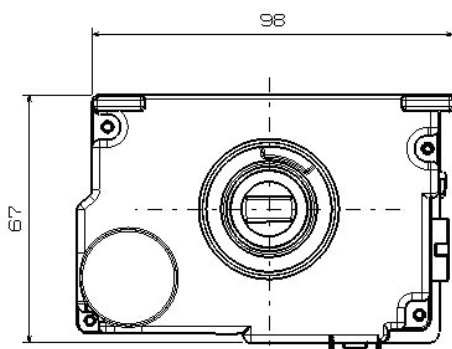


DI-PS ICE MAKER

NEW DESIGN
(R600)



ASS'Y	Controller	REFRIGERATOR CONTROL
	Size	67mm x 98mm x 53. mm
	Cycle Time (Home→Max)	50 sec
	Cycle Time (Max→Home)	50 sec
	Torque	30Kgf-cm ↑
	Ice Full Lever	UpDown Type Lever / Mold
Motor	DC 12V STEP-MOTOR	
Test S/W	5V DC	
Temp Sensor	5.0KΩ ± 1% (at 25°C) 8.0KΩ ± 3% (at 00°C)	
Patent	10-2017-0091450 ... US-15/573,818 ...	
REMARK	Module For Twisting Ice Maker	



ICE MAKER - MANUAL



Thank you.

Daechang will actively and continuously innovate and strive for customer satisfaction.



DAE CHANG CO., LTD.

Head Office

DAE CHANG CO., LTD.

24, 2sandan 2-gil, Jeongeup-si, Jeollabuk-do, Korea

TEL)063-533-0742~4

FAX)063-533-0746

Technical Laboratory

**DAE CHANG TECHNICAL
LABORATORY.**

701 Morning Plaza, 10, Maetan-ro 108beon-gil, Yeongtong-gu, Suwon-si, Gyeonggi-do, Korea

TEL)031-214-6070~1

FAX)031-214-6072

Gwangju Factory

DAE CHANG CO., LTD.

46, Hanamsandan 2beon-ro, Gwangsan-gu, Gwangju, Korea

TEL)062-959-2801~3

FAX)062-959-2811

Thailand Factory

**DAE CHANG HITECH
CO., LTD.**

245/18 M003 T.BUNG SRIRACHA, CHONBURI THAILAND 20230

TEL)66-38-761-098~9

Mold

DAE CHANG CO., LTD.

39, Sanbon-ro 86beon-gil, Gunpo-si, Gyeonggi-do, Korea

TEL)031-456-2801~3

FAX)031-456-2804